

Диммер DALI 30-24 (24V, 30W, 1 адрес)



PRODUCT FEATURES:

- DALI digital control input, dimming control LED modules
- Addressable output channels
- Support Touch DIM function, and can be dimmed manually
- Dimming range from 0-100%, LED start at 1% possible
- Suitable for DC supply
- Over temperature protection
- Safety class 1

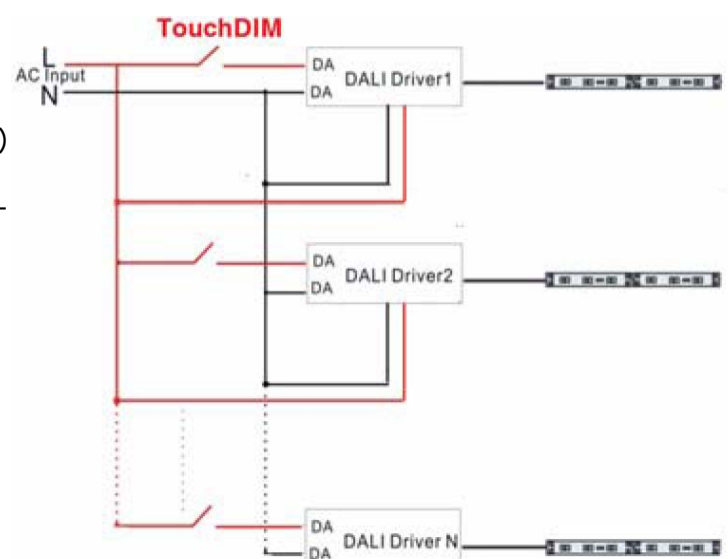
SPECIFICATION:

Electric Parameters	Min	Nom	Max	Unit
Range of input voltage	90	120	240	Vac
Input Frequency	47	50-60	63	Hz
Input Current@120VAC	-	260	-	mA
Power Factor@120VAC	-	0.85	-	
Output Power(1 Channel Pout Total)	0.7	30	30	W
Output Voltage	23	24	24.5	Vdc
Output Current		1	1.5	
Peak Current	-	<2.5	-	A
Dimming Control (Dimmer)	IEC62386 IEC60929			
Case Temp.	-	-	80	°C
Ambient Temp.	-25	-	50	°C
Protection	Short Circuit Protection			
	Overload Protection			
	Over Heat Protection			

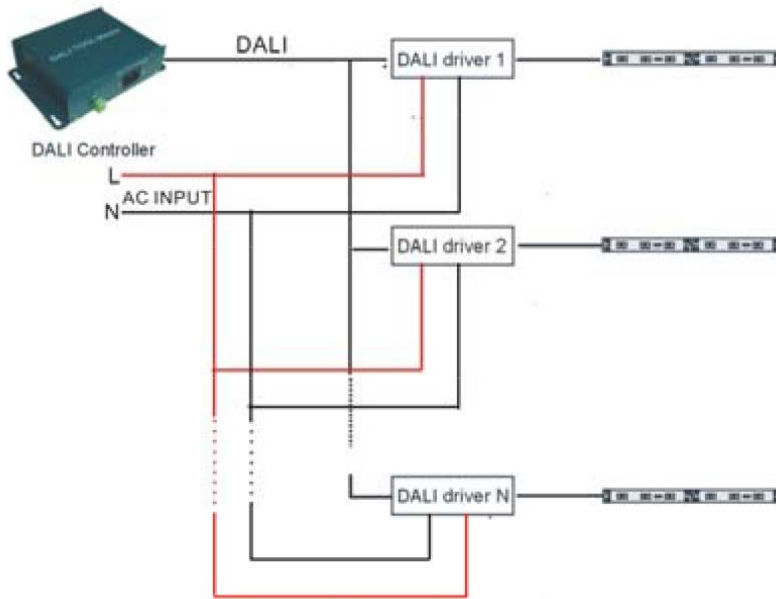
TOUCH DIM FUNCTION INSTRUCTIONS:

- 1) Short press the Touch DIM switch (<0.5s) to control the lamp on or off
- 2) Long press the Touch DIM switch (>0.5s) to dim the brightness of light; The dimming direction will change every time after pressing switch
- 3) When the light being turned off, long press the Touch DIM switch can turn on the light and adjust it, brightness according to the dimming direction
- 4) The brightness adjustment range is 1%-100%, and the light can be turned off through short pressing when do the adjustment with long pressing Touch DIM switch
- 5) Power off memory function, the power-down state before will be maintained when power on again

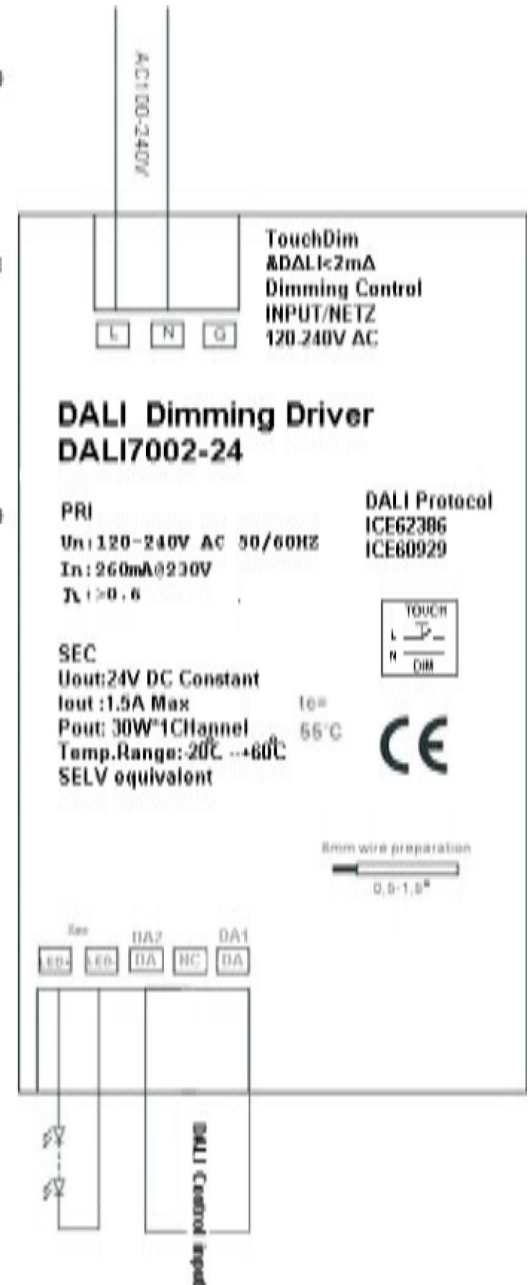
TOUCH DIM:



DALI WIRING DIAGRAM:



CONNECTION DIAGRAM:



PRODUCT INSTALLATION NOTES:

- 1) Remark: DALI and Touch DIM functions cannot be used simultaneously, which can be controlled respectively by using DALI controllers or the equipments with Touch DIM function
- 2) Please read the Connection diagram before installation.
- 3) Please use the wire according to the specification defined.
- 4) Please firstly pressure the cap of connector down and insert the wire during connecting, after connecting please check whether the wire is insert firmly.
- 5) In order to avoid the damage of the equipment, please check the connecting before power on.

PRODUCT SIZE:

